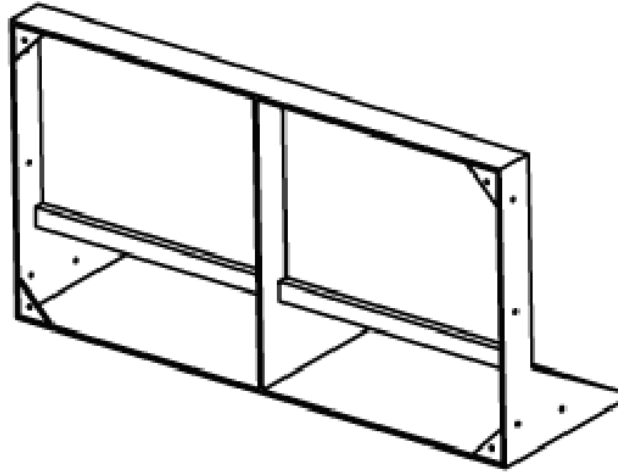
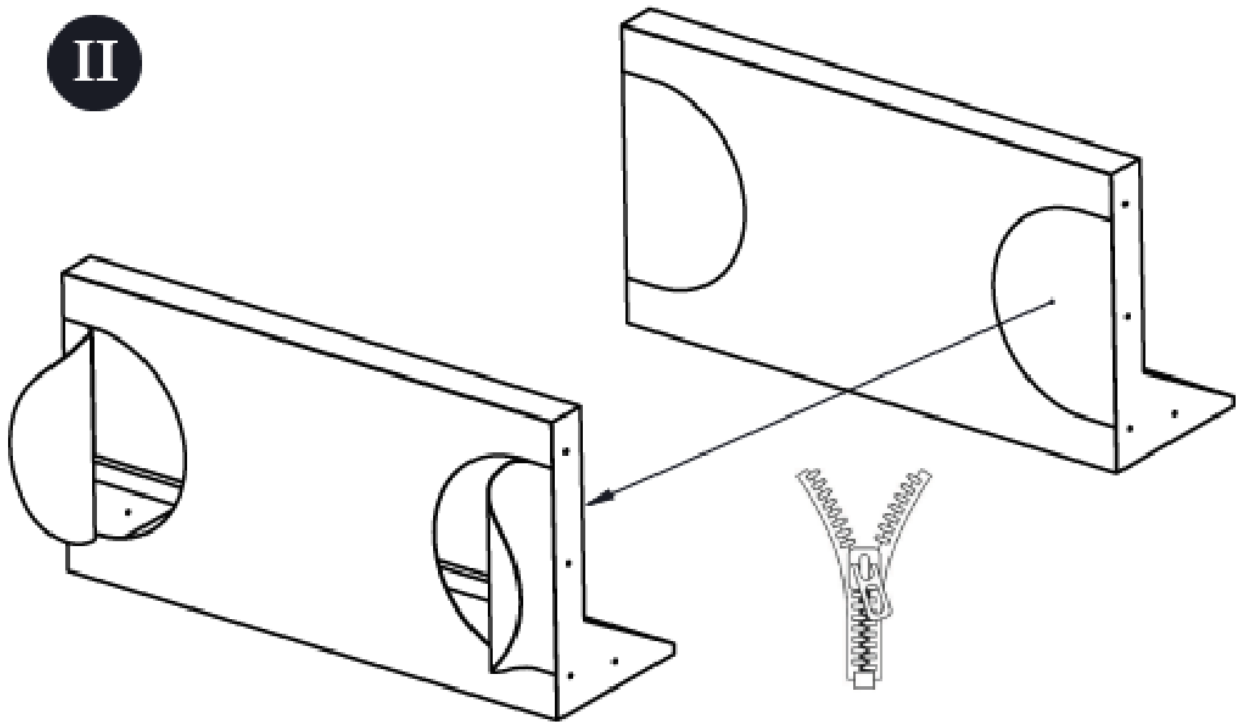


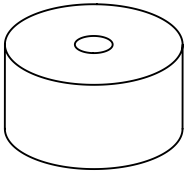
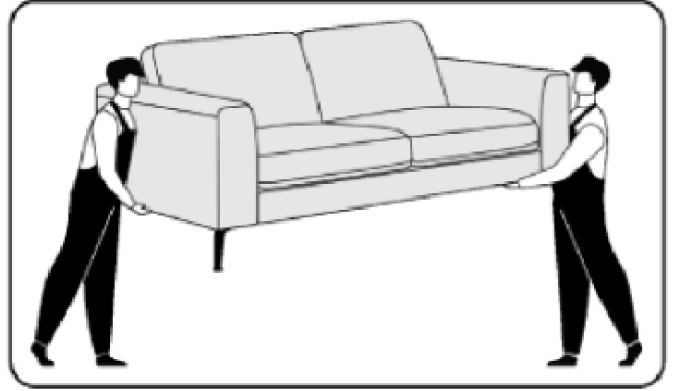
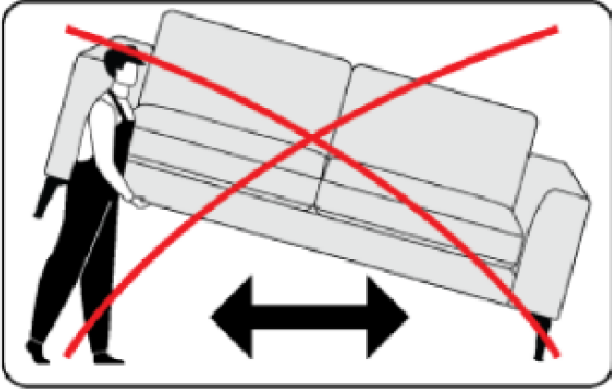
## ***Assembling instruction***

I

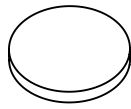


II



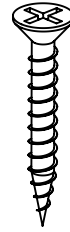


x4



D30

x4



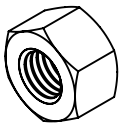
4.0x35

x4



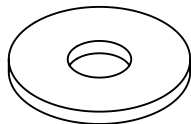
M8x55

x4



M8

x4



M8

x4

